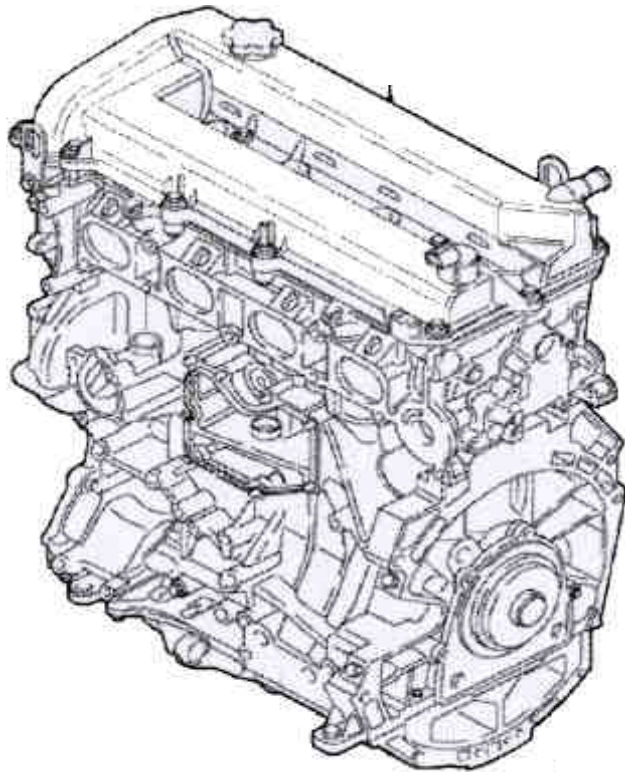


HOME

DURATEC HE I4



PARTS AND PERFORMANCE UPGRADES

PT3000 2000cc base engine
 PT3001 2000cc Tuner spec
 PT3180 2000cc 180 spec engine
 PT3195 2000cc 195 spec engine
 PT3205 2000cc 205 spec engine
 PT2003 Throttle body kit 180/195
 PT2005 Throttle body kit 200 +
 PT2222 Race pistons
 PT2223 Steel con rods 2.0
 PT2018 Standard injector loom
 040420A standard fuel rail without damper
 1322216 standard fuel rail with injectors
 PT20014 Lambda sensor
 PT2015 Throttle Pot
 PT9201 Rear wheel drive Bellhousing short
 PT9202 rear wheel drive bellhouseing long
 7113400 Hydraulic clutch Trust Kit
 TBA Hydraulic pipes
 1223051 Clutch kit
 1255217 Standard flywheel
 PT1503 lightened steel flywheel
 PT1504 Race steel flywheel
 PT1404 aluminium short sump
 PT1405 Dry sump Kit
 1218885 Starter motor
 1151213 alternator
 1317972 DIS coil
 EFL 298 short oil filter
 rear water housing fwd
 PT2017 Rear water housing rwd
 egr blank cover
 PT2016 egr blank cover rwd
 injectors standard fitment
 PT injectors 205-260bhp
 PT injectors 250+
 PT870011 3.bar fuel regulator
 3.5 bar +fuel regulator
 PT867005 10mm push on pre filter Cleanable
 PT867005 inline bosch filters
 0580464070 fuel pumps
 PT1702 swirl pot fuel small
 PT1701 swirl pot large
 PT2020 inlet manifold side draft
 6181945 crank sensor
 1119942 camshaft sensor
 PT180 BPJ Camshaft 195
 PT104 BPJ camshaft 205
 PT189 BPJ camshaft 220
 PT1030 BPJ Camshaft 235
 PT1031 BPJ Camshaft Race
 PT1131 Valve spring top caps
 PT1126 single valve springs
 PT1128 Double valve springs
 TRK1037 Adjustable timing gear for 220+
 PT2200 Modified Cylinder Head exchange
 PT2202 Big Valve Cylinder Head



Duratec 2000cc HE 180 kits

Installers Kit

- 1 x NEW Base Engine
- 1 x Crankshaft Position Sensor
- 1 x Crankshaft pulley 36-1
- 1 x Water Pump
- 1 x Belt Idler Wheel
- 1 x Oil Filter Housing
- 1 x Oil Pressure switch
- 1 x Knock Sensor
- 1 x DIS Coil
- 4 x Sparkplug Leads
- 4 x Spark plugs
- 1 x Standard Fuel rail with Standard regulator
- 1 x Standard Injector Loom
- 1 x Clutch Kit
- 1 x Flywheel
- 1 x Alternator
- 1 x Starter Motor
- 1 x Clutch Slave Cylinder Kit
- 1 x Rear Wheel Drive Bellhousing



180 kit

Power 180 bhp 6900 - Torque 146 @ 5500rpm
Power is full corrected to SAE Standard
Including Catalyst

New Kit car

Includes all previous Kits Plus
1 x Clinton Gearbox extra heavy duty
1 x 7 inch Sierra Differential 4.4 ratio

Installers Kit Plus Induction kit

- 1 x 45mm Race quality Throttle Bodies .
- 1 x Cast inlet Manifold.
- 8 x Misab vibration Plates
- 16 x Stuart Warner vibration shield bush kit.
- 1 x Omex 500 Ecu.
- 1 x Air + Water Sensors.
- 1 x Wiring loom.
- 1 x Dyno map.
- 1 x Throttle position sensor .
- 1 x Lambda Sensor.
- 4 x High flow Injectors.
- 1 x Fuel Regulator.

As supplied the kit is suitable for M.O.T Tests and for Kit Cars S.V.A
Kits will require accurate balancing of the throttle shaft and setting of Throttle Potentiometer.
We can supply drawings for Exhaust manufacture. We are able to supply over the chase exhausts for Kit Cars (Seven types) with Catalyst and silencer.



ECU equipped with full Engine data logging
one hour closed loop, with full parameter
Setting of all main functions.
Tec support offered by e - mail or disk.

BPJ SERVICES
PRO - TEC PRODUCTS



+44(0)1432351006. E-mail bpjsvs@aol.com

Duratec 2000cc HE 200 Engine Specifications

Installers Kit

- 1 x New base engine
- 1 x BPJ chill cast camshafts
- 2 x adjustable timing gears
- 4 x high flow injectors
- 1 x Crankshaft Position Sensor
- 1 x Crankshaft pulley 36-1
- 1 x Water Pump
- 1 x Belt Idler Wheel
- 1 x Oil Filter Housing
- 1 x Oil Pressure switch
- 1 x Knock Sensor
- 1 x Dis Coil
- 4 x Sparkplug Leads
- 4 x Spark plugs
- 1 x Standard Fuel Rail With Standard Regulator
- 1 x Standard Injector Loom
- 1 x Clutch Kit
- 1 x Flywheel
- 1 x Alternator
- 1 x Starter Motor
- 1 x Clutch Slave Cylinder Kit
- 1 x Rear Wheel Drive Bellhousing
- 2 x 45mm Race quality Throttle
- 1 x Cast inlet Manifold with
- 4 x Misab vibration Plates
- 8 x Stuart Warner vibro shield bush kit



205hp @ 7200 156-lbs @5700rpm
Fully corrected to SAE standard
Including catalyst exhaust system

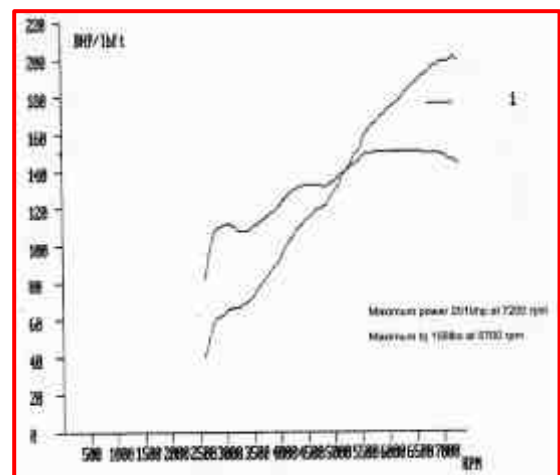
New Car kit

200 Installer kit plus Ecu Data logging

Omex 500 Ecu. Including air and water Sensors. Wiring loom. Dyno map. Throttle position sensor . lambda Sensor. Injectors. Fuel Regulator. As supplied the kit is suitable for M.O.T and for Kit Cars S.V.A Kits will require accurate balancing of the throttle shaft and setting of Throttle Potentiometer.

We Can supply drawings for Exhaust manufacture or we are able To supply over the chase exhaust For Kit Car seven Types with Catalyst and silencer. From September We will be able to supply Exhaust For Mk1 / 2 Escort

Includes all of the previous kits plus
1 x Clinton Gearbox extra heavy duty
1 x 7 inch Sierra Deferential 4.4 ratio
1 x Rose jointed Gear shift mechanism



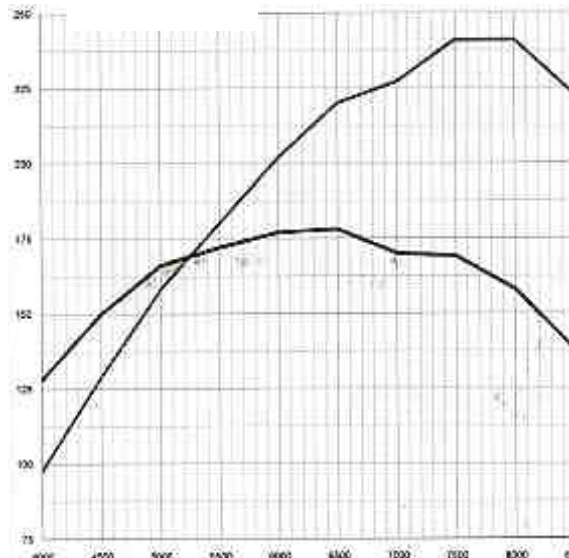
BPJ SERVICES
PRO - TEC PRODUCTS



+44(0)1432351006. E-mail bpjsvs@aol.com

Duratec 235 spec engines

- 1 x 2000cc Duratec Engine
- 2 x BPJ 189 Chillcast camshafts
- 2 x Adjustable timing wheels Steel
- 16 x springs and top caps
- 1 x Crank sensor
- 1 x 36-1 Pulley
- 1 x Water pump
- 1 x belt idler
- 1 x Oil filter Housing
- 1 x DIS - Ignition Coil
- 4 x Spark Plugs
- 1 x Standard fuel rail
- 1 x Light weight fly wheel to take race clutch
- 1 x Starter motor
- 1 x Clutch slave cylinder kit with thrust
- 1 x Side draft inlet manifold
- 4 x Misab vibro plates
- 1 x vibro bush kit
- 1 x Alloy wet sump pan 75mm shorter 5litre capacity
- 4 x omega pistons
- 4 x steel rods
- 1 x pair pro tec throttle bodies
- 1 x Omex ecu



Duratec hot rod outlaw spec engines

- 1 x 2000cc Duratec Engine
- 2 x BPJ 104 Chillcast camshafts
- 2 x Adjustable timing wheels Steel
- 1 x Crank sensor
- 1 x 36-1 Pulley
- 1 x Water pump
- 1 x belt idler
- 1 x Oil filter Housing
- 1 x Knock sensor
- 1 x DIS - Ignition Coil
- 4 x Spark Plugs
- 1 x Standard fuel rail
- 1 x Light weight fly wheel to take race clutch
- 1 x Starter motor
- 1 x Clutch slave cylinder kit with thrust
- 1 x Side draft inlet manifold
- 4 x Misab vibro plates
- 1 x vibro bush kit
- 1 x Alloy wet sump pan 75mm shorter 5litre capacity
- 1 x Alloy Rear wheel drive Bellhousing



Above Spec Plus Race single plate clutch & 45mm Dellorto carbs or as above with dry sump

220 spec has the addition of set race pistons valve gear kit is an unassembled kit only